

### D3034 & F679 SEWER SPECIFICATION DATA

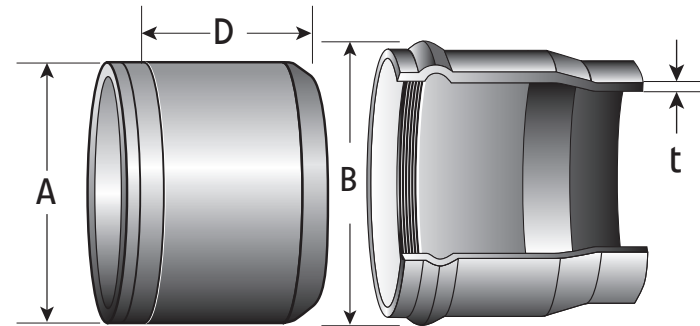
Diamond gravity sewer pipe 4 inches through 60 inches shall be made of compounds conforming to material requirements of ASTM D3034 and ASTM F679 in accordance with ASTM D1784. Diamond PVC Sewer Pipe meets all the dimensional, chemical, and physical requirements as outlined in ASTM D3034 and ASTM F679.

A listing to CSA B182.2 is available for most of these sizes. A complete listing by manufacturing plant is available upon request.

Pipe sizes 4 inches through 60 inches are made with an integral bell "water-tight" joint that meets the requirements of ASTM D3212 and that utilizes a Rieber gasket system for sealing that meets the requirements of ASTM F477.

Each male end shall be beveled to facilitate joining and reference marked for proper insertion depth. Diamond furnished lubricant is to be used in the joining process.

### RIEBER JOINT ILLUSTRATION



### SANI-21™

#### D3034 & F679 SEWER SPECIFICATION DATA

Nominal Pipe Size in. (mm)	A Outside Diameter Inches	B Bell Socket Diameter Inches	D Insert Mark Inches	t Min. Wall Thickness SDR26/PS115 Inches	t Min. Wall Thickness PS75 Inches	t Min. Wall Thickness SDR35/PS46 Inches
<b>D-3034 PIPE DIMENSIONS</b>						
4" (100)	4.215	5-1/4	4"	0.162		0.120
6" (150)	6.275	7-1/2	4-1/8"	0.241		0.180
8" (200)	8.400	9-7/8	4-7/8"	0.323		0.240
10" (250)	10.500	12-3/8	5-1/4"	0.404		0.300
12" (300)	12.500	14-5/8	5-1/2"	0.481		0.360
15" (375)	15.300	18	6"	0.588		0.437
<b>F-679 PIPE DIMENSIONS</b>						
18" (450)	18.701	21-3/4"	7-3/4"	0.671	0.584	0.499
21" (525)	22.047	25-1/2"	8-1/2"	0.791	0.689	0.588
24" (600)	24.803	28-3/4"	8 1/2"	0.889	0.775	0.661
27" (675)	27.953	32-1/2"	11-1/8"	1.002	0.874	0.745
30" ciod (750)	32.000	37-1/4"	13-5/8"	1.148	1.000	0.853
36" ciod (900)	38.300	43-1/4"	13-7/8"	1.373	1.197	1.021
42" ciod (1050)	44.500	53"	16-3/4"	1.596	1.391	1.187
48" ciod (1200)	50.800	60"	16-7/8"	1.822	1.588	1.355
54" ciod (1350)	57.560	67"	17"	2.064	1.799	1.535
60" ciod (1500)	61.610	72"	18-1/2"	2.210	1.926	1.643

Prices are subject to a firm policy of "Price in effect at time of shipment on regular purchases" "Possession of this page does not constitute an offer of sale" \*Tolerance of +/- 1/4" allowed"

## SANI-21™

### PHYSICAL PROPERTIES OF ASTM D3034 & F679

Property	ASTM TEST	Minimum 12454/12364
<b>PIPE MATERIALS:</b>		
<b>PIPE SHALL BE MADE OF PVC PLASTIC HAVING A MINIMUM CELL CLASSIFICATION OF 12454 OR 12364 AS DEFINED IN SPECIFICATION D1784.</b>		
Specific Gravity	D792	1.40/1.40
Tensile Strength, psi	D638	7,000/6,000
Tensile Modulus, psi	D638	400,000/440,000
IZOD Impact Strength,	D256	.65ft., lb./in.

**SHORT FORM Specification for Diamond PVC Solid-Wall Sewer Pipe SDR 26 or SDR 35 or PS 46, PS 75, or PS 115. All PVC Solid-Wall Sewer Pipe shall be made of compounds conforming to ASTM D1784 manufactured in accordance with the material requirements of ASTM D3034 or ASTM F679. All PVC Sewer Pipe must meet dimensional, chemical, and physical requirements as outlined in ASTM D3034 or ASTM F679. Joints shall meet the requirements of ASTM D3212 and shall be formed using Rieber Technology. PVC Sewer Pipe shall be installed according to the requirements of ASTM D2321, Uni-Bell's Uni-Pub 6 and the manufacturer's recommendations.**



## SANI-21™

### LOADING ASTM D3034 & F679 LOADING CHART

Nominal Pipe Size in. (mm)	Outside Diameter Inches	Bundle Quantity	*Feet Per Truckload	
			14'	20'
4" (100)	4.215	60/69/84	20,160 / 21,168 / 23,184	20,160 / 24,288
6" (150)	6.275	24/32	10,080 / 10,752	10,240 / 11,264
8" (200)	8.400	18/24	5544 / 6048	5280 / 5760
10" (250)	10.500	12/15	3402	3240
12" (300)	12.500	8/16	2688	2560
15" (375)	15.300	6	1512	1440
18" (450)	18.701	2/3/4/6	1050	1000
21" (525)	22.047	4	672	640
24" (600)	24.803	4	504E / 672W	480E / 640W
27" (675)	27.953	3	378	360
30" (750)	32.000	3	252E / 378W	240E / 360W
36" (900)	38.300	2	168	160
42" (1050)	44.500	2	168	
48" (1200)	50.800	1	84	
54" (1350)	57.560	1	42E / 84W	
60" (1500)	61.610	1	42	

Prices are subject to a firm policy of "Price in effect at time of shipment on regular purchases" \*Current loading chart from the plant closest to your location can be found by visiting our website, [dpcpipe.com](http://dpcpipe.com) \*Possession of this page does not constitute an offer of sale"