

### PIP SPECIFICATION DATA

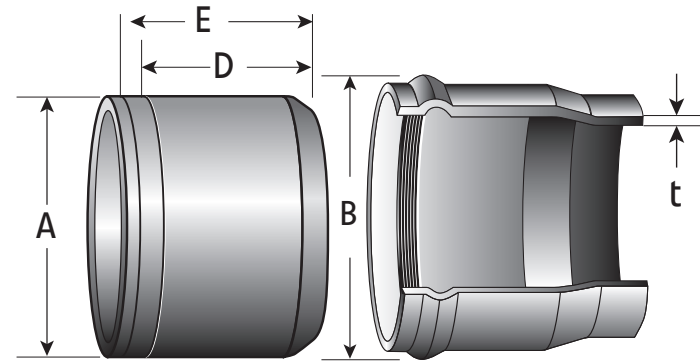
Diamond Low-Head PIP is made of compounds conforming to material requirements of SCS 430. Pipe sizes (6" through 15") 50 psi are made with an integral bell to utilize a gasket for sealing, meeting requirements as defined in ASTM F477 and ASTM D3139.

Diamond Low-Head PIP PVC pipe meets all the requirements as outlined in SCS 430.

Each male end shall be beveled, swagged or deburred to facilitate joining and gasketed joints shall be marked to reference proper insertion depth. Only Diamond furnished lubricant is to be used in the joining process.

It is recommended that Low-Head PIP PVC piping systems be designed and installed in accordance with SCS 430.

### RIEBER JOINT ILLUSTRATION



### PIP™ LOW HEAD

ASTM D2241 ANNEX SPECIFICATION DATA. STANDARD LENGTH IS EITHER 22 FOOT OR 44 FOOT, DEPENDING UPON DIAMETER.

Nominal Pipe Size in. (mm)	A Outside Diameter Inches	B Bell Socket Diameter Inches	D Insert Mark 1 Inches	E Insert Mark 2 Inches	t SDR 81 50 PSI Inches
6" x 44' (150)	6.140	7-1/2"	3-1/2"	4-1/2"	0.076
8" x 44' (200)	8.160	10"	3 3/8"	4 3/8"	0.101
10" x 44' (250)	10.200	12"	4 3/8"	5-3/8"	0.126
12" x 44' (300)	12.240	14"	4-1/4"	5-1/4"	0.151
15" x 22' (375)	15.300	17-1/2"	4 3/4"	5 3/4"	0.189

Prices are subject to a firm policy of "Price in effect at time of shipment on regular purchases" "Possession of this page does not constitute an offer of sale" \*Tolerance of +/- 1/4" allowed"

### PIP™ LOW HEAD

ASTM D2241 ANNEX LOW HEAD 50 PSI CHART

Nominal Pipe Size in. (mm)	Average Outside Diameter	Approx. Inside Diameter	Minimum Wall Thickness	Pieces Per Bundle	Feet Per Bundle	*Feet Per Truckload
<b>SDR-81 50 PSI</b>						
6" (150)	6.140	5.988	.076	28/32	1,232/1,408	10,560
8" (200)	8.160	7.958	.101	18	792	6,336
10" (250)	10.200	9.948	.126	8/10	352/440	3,960
12" (300)	12.240	11.938	.151	8	352	2,465
15" (375)	15.300	14.922	.189	6	132	1,584

This product is manufactured in Lubbock, TX. Shipping distance may impact availability. Prices are subject to a firm policy of "Price in effect at time of shipment on regular purchases" "Possession of this page does not constitute an offer of sale"