

## PRESSURE-RATED PIP PIPE

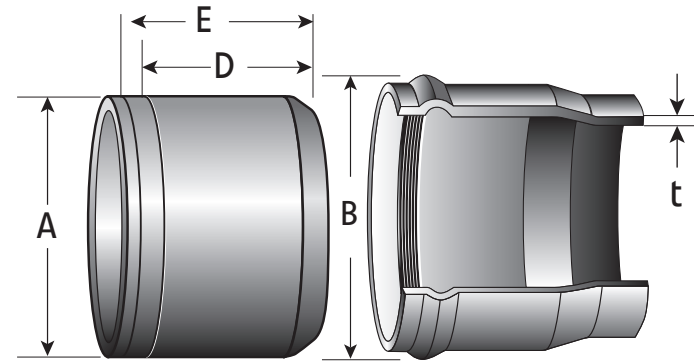
Diamond PIP pressure-rated pipe (6" through 27") is made of compounds conforming to material requirements of SCS 430. The pipe sizes (6" through 27") are made with an integral bell to utilize a gasket for sealing, meeting requirements as defined in ASTM F477 and ASTM 3139.

Diamond PIP pressure-rated PVC pipe meets all the dimensional, chemical and physical requirements as outlined in SCS 430. Diamond PIP pressure-rated pipe (15" through 27") meets all the dimensional, chemical and physical requirements as defined in ASTM DD2241 ANNEX.

Each male end shall be beveled, swagged or deburred to facilitate joining and shall be marked to reference proper insertion depth. Only Diamond furnished lubricant is to be used in the joining process.

It is recommended that PIP Pressure-Rated PVC Piping systems be designed and installed in accordance with SCS 430.

## RIEBER JOINT ILLUSTRATION



## PRESSURE-RATED PIP

ASTM D2241 ANNEX SPECIFICATION DATA. DIAMOND PIP PRESSURE-RATED PVC PIPE IS SUPPLIED IN 22-FOOT LAYING LENGTHS.

Nominal Pipe Size in. (mm)	A Outside Diameter Inches	B Bell Socket Diameter Inches	D Insert Mark 1 Inches	E Insert Mark 2 Inches	SDR-51 80 PSI	SDR-41 100 PSI	SDR-32.5 125 PSI	SDR-26 160 PSI	SDR-21 200 PSI
					(t) Minimum Wall Inches				
6" (150)	6.140	7-1/2"	3-1/2"	4-1/2"	0.120	0.150	0.189		
8" (200)	8.160	10"	3-3/8"	4-3/8"	0.160	0.199	0.251		
10" (250)	10.200	12"	4-3/8"	5-3/8"	0.200	0.249	0.314		
12" (300)	12.240	14"	4-1/4"	5-1/4"	0.240	0.299	0.377		
15" (375)	15.300	17-1/2"	4-3/4"	5-3/4"	0.300	0.373	0.471	0.588	0.728
18" (450)	18.701	21-1/2"	7"	8"	0.366	0.456	0.575	0.719	
21" (525)	22.047	25-1/4"	7-1/4"	8-1/4"	0.432	0.538	0.678	0.848	
24" (600)	24.803	28"	8-1/2"	9-1/2"	0.486	0.605	0.763	0.954	
27" (675)	27.953	32-1/2"	8-3/4"	9-3/4"	0.548	0.682	0.860	1.075	

Socket & Minimum Wall Dimensions, all dimensions are in inches. Prices are subject to a firm policy of "Price in effect at time of shipment on regular purchases" "Possession of this page does not constitute an offer of sale"

PRESSURE-RATED PIP